



### Features:

- Single display, 4 digit, 7 segment LED
- Input: TC(J/K) OR RTD (Pt-100/3w)
- ON-OFF, TP TYPE
- Control Output Relay or SSR
- Up to two Alarm output
- Setting By potentiometer (Push to set)

### Technical Specifications:

#### DISPLAY

Digits	Single Display 7 segment Red LED RDTC-9601 & RDTC-7201 & RDTC-4801 Display: .56" Red LED For PV
LED Indication	Output & Alarm

#### CONTROL ACTION

Control Action	TP or ON/OFF
Alarm output Modes	High/low.

#### INPUT SPECIFICATION

Inputs	Thermocouple (J/K),RTD (pt-100/3w)
Accuracy	(+/-) .3% of F.S. Range
Resolution	.1°C for RTD,1°C for T/C
Sampling rate	250 ms

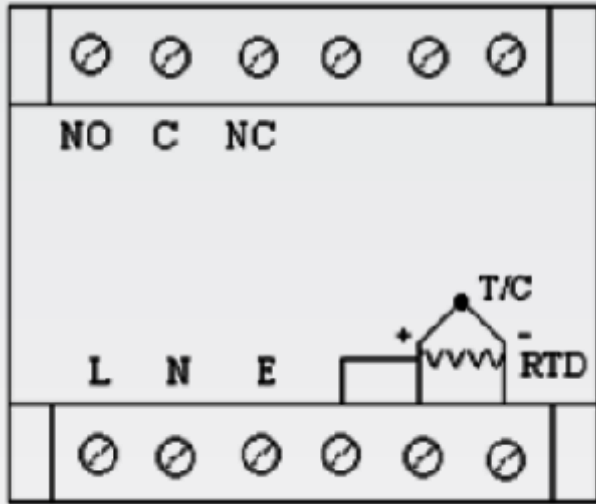
#### GENERAL SPECIFICATIONS

Supply voltage	230V AC @ 50 Hz.
Power consumption	5 VA max @230V AC
Temperature Operating	0-50 °C
Temperature Storage	(-20°C) TO 70 °C
Humidity	95%RH

#### OUTPUT SPECIFICATION

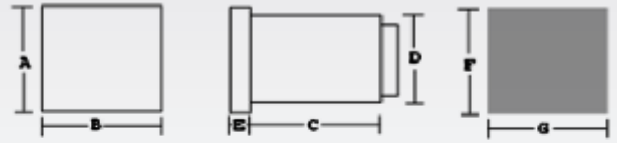
Control output	1 Nos.Relay,5A@230V AC OR 1 Nos. SSR drives 24 VDC
Alarm output	Up to 2 Nos.Relay, 5A@230V AC

CONNECTING DIAGRAM



**RDTC-9601/RDTC-7201**

CONNECTING DIAGRAM



MODELS	DIMENSION	A	B	C	D	E	F	G
<b>RDTC-9601</b>		96	96	55	80.5	9.5	92	92
<b>RDTC-7201</b>		72	72	110	60.4	6.5	68	68

All dimensions are in mm